

EMERGENCY BOXES

Box Bassa tensione 3HP-MK

Adatto per motori fino a 3HP (2,25kW) (**5,5A**) trifase 400 volt e 1,5HP (1,12kW) monofase 230 volt

Funzioni: avviamento per motori trifase / monofase

Start/Stop : controllato da pulsanti a membrana, completa di pulsante di emergenza con chiave di sicurezza .

Caratteristiche : scatola impermeabile con staffe di fissaggio esterni , fusibile, spia luminosa presenza rete. Funzioni di comando in bassa tensione (24V), gestione di microinterruttori di sicurezza installati sulla macchina .

Dimensioni : 170 x 118 x H82 mm

TL / 3HP / PIN1V



Livello di affidabilità di sicurezza:

B10d = 20.000.000 cicli contattore con carico meccanico secondo EN / ISO 13849-1

B10d = 1369863 cicli contattore con carico nominale secondo EN / ISO 13849-1

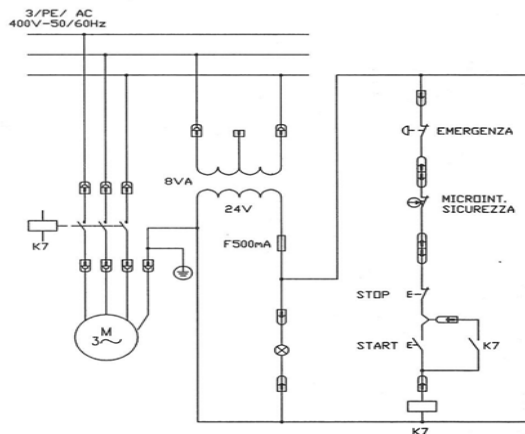
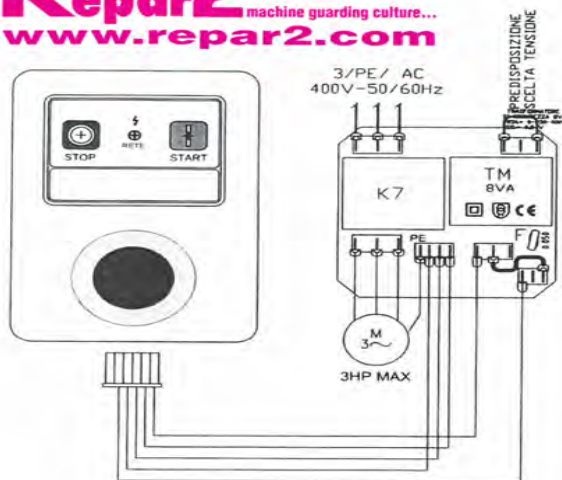
Durata meccanica : 15 Mcicli

Funzionamento: 3600 cyc/h at $\leq 60^{\circ}\text{C}$

Tempo di operatività: 4...19 ms apertura
12...22 ms chiusura

Codice : 14BT-BOX 3HP-MK

Repar2 machine guarding culture...
www.repar2.com



Utilization categories

Alternate current: AC15 (50...60 Hz)

Ue (V) 230

Ie (A) 3

Direct current: DC13 (6 operations/minute)

Ue (V) 24

Ie (A) 6

Markings, quality marks and certificates:



Approval UL: E131787

Complying with the requirements requested by:

Low Voltage Directive 2006/95/EC,

Machinery Directive 2006/42/EC,

Electromagnetic Compatibility 2004/108/EC



EMERGENCY BOXES

Low Voltage Box 3HP-MK

Suitable for motors up to 3HP (2,25kW) (5,5A) 400 volt triphase and 1,5HP (1,12kW) 230 volt monophase

Functions: Triphase/monophase motor start/stop controlled by membrane push button switches or emergency push button with key.

Features: Waterproof box with external fixing brackets, spare fuse inside box, warning light. Low tension (24V) command functions, management of safety microswitches installed on the machine.

Dimensions: 170 x 118 x H82 mm
TL/3HP/PIN1V



Safety reliability level:

B10d = 20000000 cycles contactor with mechanical load conforming to EN/ISO 13849-1

B10d = 1369863 cycles contactor with nominal load conforming to EN/ISO 13849-1

Mechanical durability: 15 Mcycles

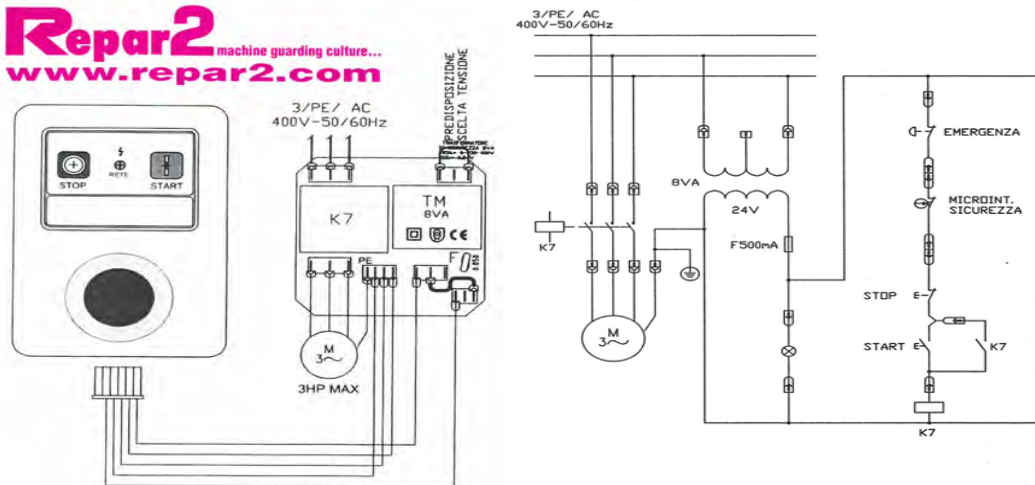
Operating rate: 3600 cyc/h at $\leq 60^\circ\text{C}$

Operating time: 4...19 ms opening 12...22 ms closing

Code : I4BT-BOX 3HP-MK



Repar2 machine guarding culture...
www.repar2.com



Alternate current: AC15 (50...60 Hz)
 Ue (V) 230
 Ie (A) 3
 Direct current: DC13 (6 operations/minute)
 Ue (V) 24
 Ie (A) 6

Markings, quality marks and certificates:



Approval UL: E131787

Complying with the requirements requested by:
 Low Voltage Directive 2006/95/EC,
 Machinery Directive 2006/42/EC,
 Electromagnetic Compatibility 2004/108/EC

EMERGENCY BOXES

Box Bassa Tensione 10 HP-MK

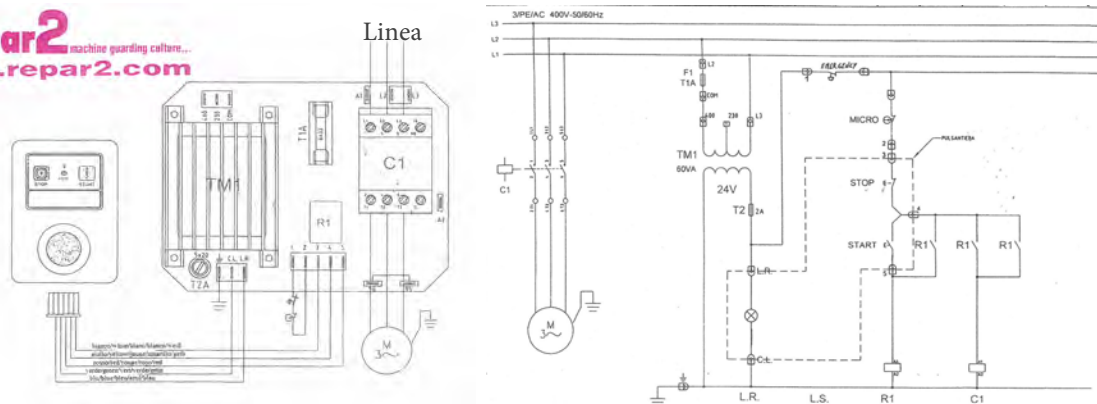
Adatto per motori fino 10HP (7,5kW) (**16,5A**) 400 volt trifase

Funzioni: avviamento per motori trifase/monofase, start/stop controllato da pulsanti a membrana, completa di pulsante d'emergenza con chiave di sicurezza.

Caratteristiche : pulsantiera separata in scatola impermeabile completa di staffe di fissaggio. Contenitore separato in plastica completo di trasformatore e teleruttori per trasformare la corrente dei comandi in bassa tensione (24V), predisposta per la gestione dei microinterruttori installati

Dimensioni : 170 x 118 x H82 mm (pulsantiera) 200 x 150 x H150 mm (contenitore componenti elettrici)
TL/10HP/PST1V

Repar2 machine guarding culture...
www.repar2.com



Utilization categories

Alternate current: AC15 (50...60 Hz)
 Ue (V) 230
 Ie (A) 3
 Direct current: DC13 (6 operations/minute)
 Ue (V) 24
 Ie (A) 6

Markings, quality marks and certificates:



Approval UL: E131787

Complying with the requirements requested by:

Low Voltage Directive 2006/95/EC,
 Machinery Directive 2006/42/EC,
 Electromagnetic Compatibility 2004/108/EC



Livello di affidabilità di sicurezza

B10d = 20000000 cicli contattore con micro secondo EN/ISO 13849-1

B10d = 1369863 cicli contattore con carico nominale secondo EN/ISO 13849-1

Durata meccanica: 15 Mcicli

Funzionamento: 3600 cyc/h at $\leq 60^\circ\text{C}$

Tempo di operatività: 4.1119 ms opening 12.1122 ms chiusura

Code : 14BT-BOX 10 HP-MK



EMERGENCY BOXES

Low Voltage Box 10 HP-MK

Suitable for motors up to 10HP (7,5kW) (**16,5A**) 400 volt triphase

Functions: Triphase motor start/stop

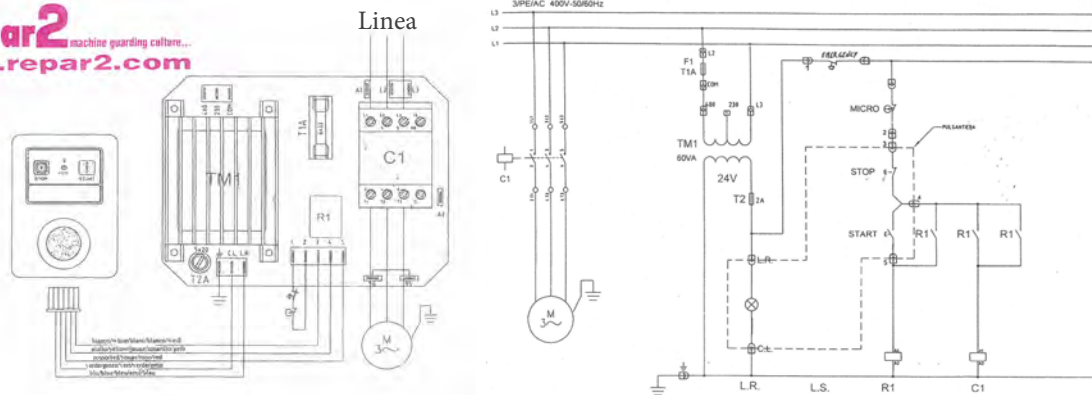
with overload cut-out and automatic reset by push button with key switches or emergency **Features** : Separate push buttons box, spare fuse inside box, warning light. Low tension (24V) command functions, management of safety microswitches installed on the machine button

Dimensions : 170 x 118 x H82 mm (push buttons panel) 200 x 150 x H150 mm (electric box)

TL/10HP/PST1V



Repar2 machine guarding culture...
www.repar2.com



Safety reliability level:

B10d = 20000000 cycles contactor with mechanical load conforming to EN/ISO 13849-1

B10d = 1369863 cycles contactor with nominal load conforming to EN/ISO 13849-1

Mechanical durability: 15 Mcycles

Operating rate: 3600 cyc/h at $\leq 60^\circ\text{B}$

Operating time: 4.1119 ms opening 12.1122 ms closing

Utilization categories

Alternate current: AC15 (50...60 Hz)

Ue (V) 230

Ie (A) 3

Direct current: DC13 (6 operations/minute)

Ue (V) 24

Ie (A) 6

Markings, quality marks and certificates:



Approval UL: E131787

Complying with the requirements requested by:

Low Voltage Directive 2006/95/EC,

Machinery Directive 2006/42/EC,

Electromagnetic Compatibility 2004/108/EC

Code : I4BT-BOX 10 HP-MK



EMERGENCY BOXES

Box Bassa Tensione 24 HP-MK

Adatto per motori fino a 24HP 18Kw 38A trifase 400 volt

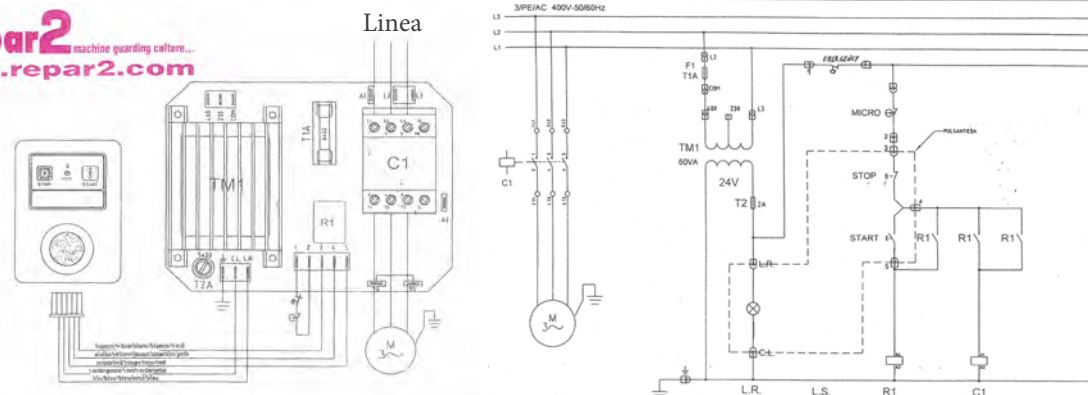
Funzioni: avviamento per motori trifase/monofase, start/stop controllato da pulsanti a membrana, completa di pulsante d'emergenza con chiave di sicurezza.

Caratteristiche : pulsantiera separata in scatola impermeabile completa di staffe di fissaggio. Contenitore separato in plastica completo di trasformatore e teleruttori per trasformare la corrente dei comandi in bassa tensione (24V), predisposta per la gestione dei microinterruttori installati

Dimensioni : 170 x 118 x H82 mm (pulsantiera) 200 x 150 x H150 mm (contenitore componenti elettrici)

TL/10HP/PST1V

Repar2 machine guarding culture...
www.repar2.com



Utilization categories

Alternate current: AC15 (50...60 Hz)

Ue (V) 230

Ie (A) 3

Direct current: DC13 (6 operations/minute)

Ue (V) 24

Ie (A) 6

Markings, quality marks and certificates:



Approval UL:

E131787

Complying with the requirements requested by:

Low Voltage Directive 2006/95/EC,

Machinery Directive 2006/42/EC,

Electromagnetic Compatibility 2004/108/EC



Livello di affidabilità di sicurezza

B10d = 20000000 cicli contattore con micro secondo EN/ISO 13849-1

B10d = 1369863 cicli contattore con carico nominale secondo EN/ISO 13849-1

Durata meccanica: 15 Mcicli

Funzionamento: 3600 cyc/h at $\leq 60^\circ\text{C}$

Tempo di operatività: 4.1119 ms opening 12.1122 ms chiusura

Code : I4BT-BOX24HP-MK



EMERGENCY BOXES

Low Voltage Box 24HP-MK

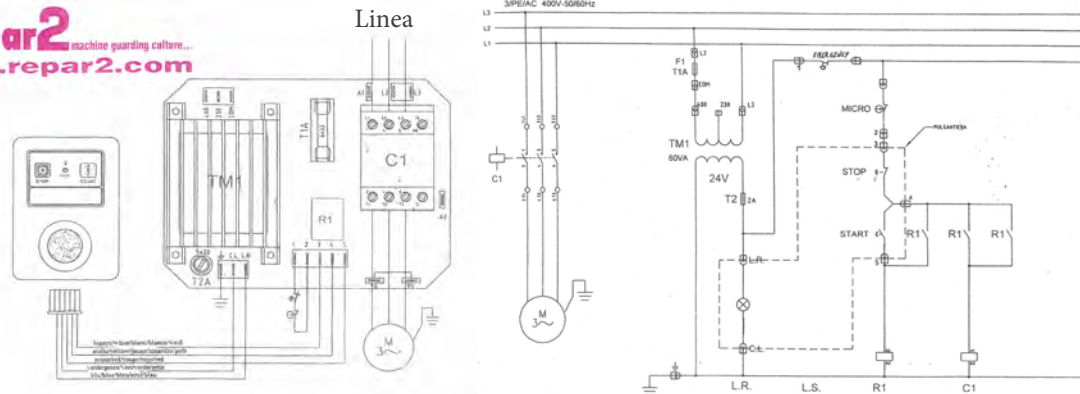
Suitable for motors up to 24HP 18Kw 38A 400 volt triphase

Functions: Triphase motor start/stop with overload cut-out and automatic reset by push button switches or emergency

Features : Separate push buttons box, spare fuse inside box, warning light. Low tension (24V) command functions, management of safety microswitches installed on the machine button

Dimensions : 170 x 118 x H82 mm (push buttons panel)
200 x 150 x H150 mm (electric box)
TL/10HP/PST1V

Repar2 machine guarding culture...
www.repar2.com



Utilization categories

Alternate current: AC15 (50...60 Hz)
Ue (V) 230
Ie (A) 3
Direct current: DC13 (6 operations/minute)
Ue (V) 24
Ie (A) 6

Markings, quality marks and certificates:



Approval UL: E131787

Complying with the requirements requested by:

Low Voltage Directive 2006/95/EC,
Machinery Directive 2006/42/EC,
Electromagnetic Compatibility 2004/108/EC



Safety reliability level:

B10d = 20000000 cycles contactor with mechanical load conforming to EN/ISO 13849-1

B10d = 1369863 cycles contactor with nominal load conforming to EN/ISO 13849-1

Mechanical durability: 15 Mcycles

Operating rate: 3600 cyc/h at $\leq 60^\circ\text{B}$

Operating time: 4.1119 ms opening 12.1122 ms closing

Code : I4BT-BOX24HP-MK

