

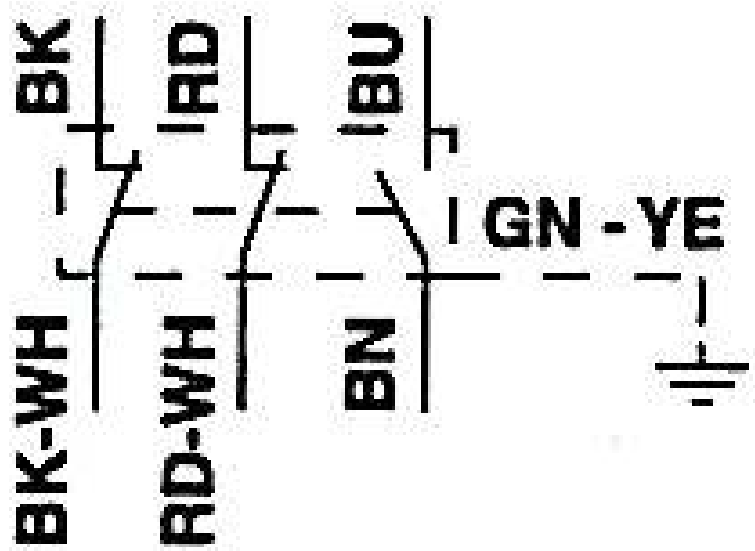
SINCE 1970

Repar2

MACHINE GUARDS

Contact plan of interlock device
 Schema dispositivo di interblocco
 Contactez dispositif de verrouillage du régime
 Ver esquema del microinterruptor de seguridad
 Kontaktplan der Interlock Vorrichtung

3-pole
N/C + N/C + N/O
snap action



Fitted on safety guards models:

Code MIC 001/P Code MIC 001/S



TF-TFM-POL-VT-IE-
 FR-PS/1-FA-FB-FAB-
 FBB-AF-BF-BAF-BBF-
 TR2-3A-3B-TR7-PED

Code MIC 002/P Code MIC 002/S



TR2SP-TR5-TR6-
 TRsmall-PT-MO2-
 FAB-FBB-BAF-BBF

Code MIC 003/P Code MIC 003/S



MINOR-MAJOR-AM-
 TC1-2-3--GT-TP-LA

Code MIC 004



FT-FT/M-TA-TA/M-SD-
 FV-ST-TOP-AL