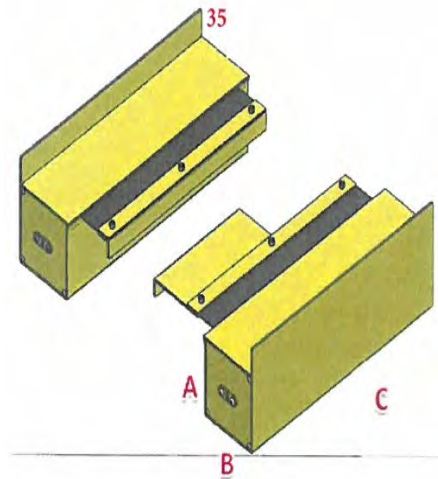


Roll blinders for lathe lead-screw- Model AR

Fabric lenght/heght+Box Dimension

Pair of AR 500 x H100	Box A60xB60xC120
Pair of AR 1000 x H150	Box A75xB75xC200
Pair of AR 1500 x H150	Box A75xB75xC200
Pair of AR 1500 x H200	Box A75xB75xC275
Pair of AR 2000 x H200	Box A75xB75xC275
Pair of AR 3000 x H250	Box A80xB80xC300

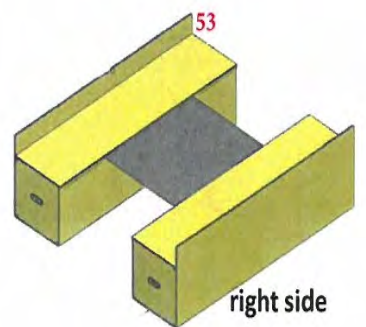
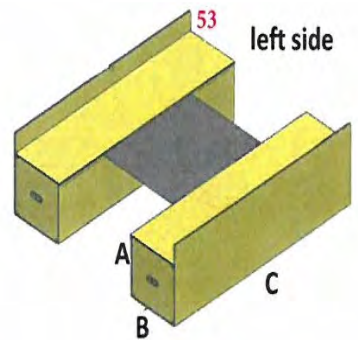
Pair of AR 4000 x H250	Box A105xB105xC300
Pair of AR 5000 x H250	Box A105xB105xC300
Pair of AR 4000 x H300	Box A105xB105xC400
Pair of AR 5000 x H300	Box A105xB105xC400
Pair of AR 6000 x H350	Box A140xB140xC450



Fabric lenght/heght+Box Dimension for LONG AR Every supply includes 4 boxes and 2 fabric rolls

2 Pair of AR7000DB x H300H(Every AR side has 2 boxes)
Boxes A150 x B150 x C600

2 Pair of AR8000DB x H300 (Every AR side has 2 boxes)
Boxes A150 x B150 x C600 C600



AVAILABLE FROM STOCK, subject to sale
Resale condicts: as usual